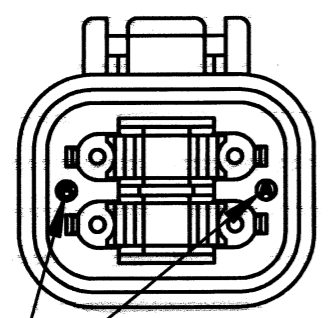
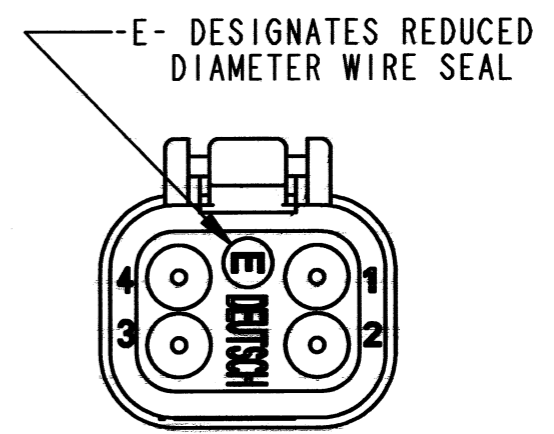
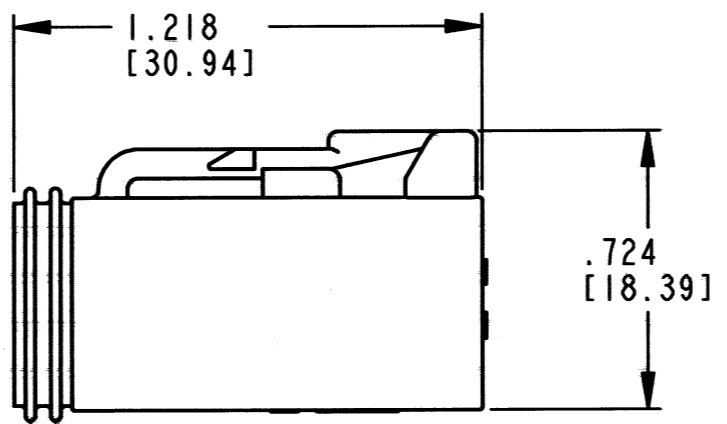
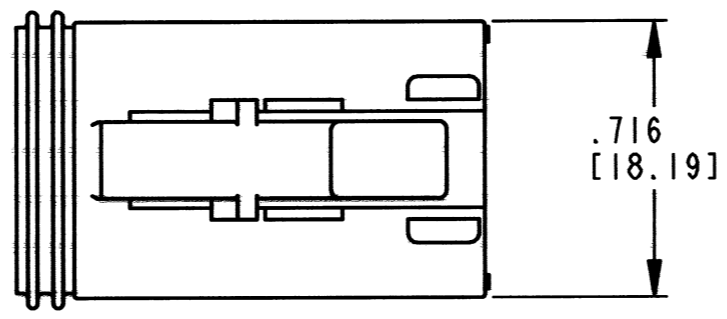
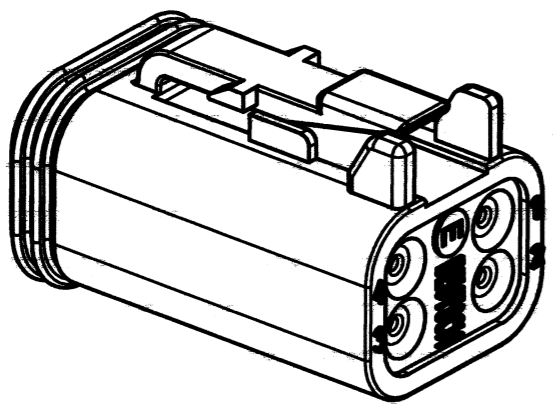


CONTACT SIZE	MIN. INSUL O.D.	MAX. INSUL O.D.	WIRE RANGE [mm ²]
16	.053 [1.35]	.120 [3.05]	14-20 AWG [2.0-0.5]

REV A DT06-4S-C015

REVISIONS			
SYM	DESCRIPTION	DATE	APPROVED
NC	NEW RELEASE PER E.O. P17200	3-29-01	R.D.R.
A	REVISED PER E.O. P21282	4-12-12	RDR



DATE CODE: YEAR TO BE REPRESENTED BY LAST NUMERICAL DIGIT, EX: 6=2006
MONTH USES SEQUENTIAL ALPHA CHARACTERS, EX: A=JANUARY


- 5. THIS PLUG MATES WITH THE DT04-4P-****RECEPTACLE. (****=ALL MODIFICATIONS). CONTACT FACTORY FOR MODIFICATION.
- 4. FOR CONTACTS AND WIRE PERFORMANCE AND APPLICATION CHARACTERSTICS, SEE ENVELOPE DRAWING 0425-015-0000 AND 0425-017-0000.
- 3. MATERIAL - HOUSING: PLASTIC; COLOR: GRAY
SEALS: RUBBER
- 2. ALL DIMENSIONS ARE ±.025[0.63] UNLESS OTHERWISE SPECIFIED.

NOTES: 1. ALL DIMENSIONS ARE INCHES [MILLIMETERS].

SIGNATURE & DATE	
DR	T. YOHANNES 20MAR01
CHK	B. Sanford 4/11/2012
PE	A. Messers 7/6/12
APPD	S. Beaudin 4/11/12
SCALE	NONE WT

4 WAY PLUG
W/REDUCED WIRE SEAL
-C015 MOD.
DT SERIES

ENVELOPE

EP	MATL. CODE
 3850 INDUSTRIAL AVE. HEMET, CA 92545 DEUTSCH INDUSTRIAL	
B	DT06-4S-C015
DWG SIZE	CODE 11139 SHEET OF

